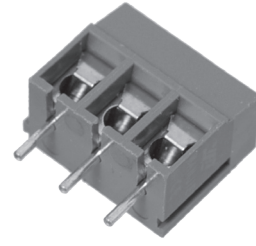


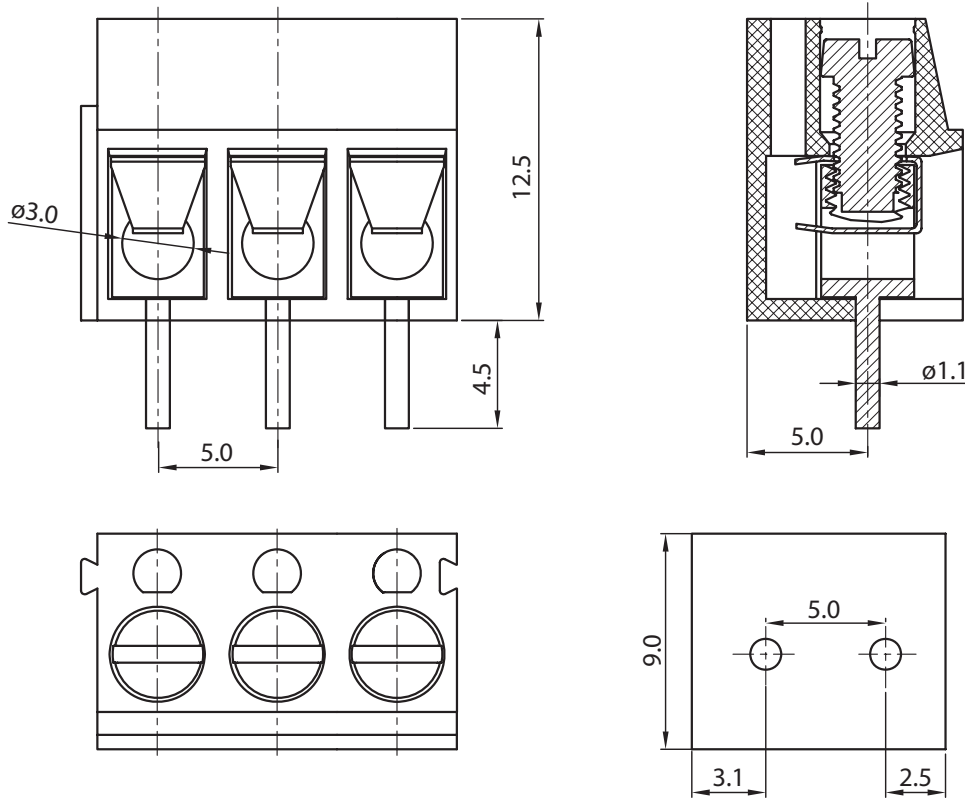
**MODULAR PCB SCREW TERMINALS**  
**276-1388, 276-1389, 276-1390**

A set of PC Board Terminals that can be interlocked and installed as a unit or installed individually. Available in blocks of 2, 3 and 4 terminals.



# TANDY TECHNICAL DATA

AN EXCLUSIVE TANDY SERVICE TO THE EXPERIMENTER



All Measurements in mm

## SPECIFICATIONS

Parameter	Value	Unit
Maximum voltage	250	V
Maximum current	16	A
Insulation resistance	500	MΩ
Operating temperature	-30 to 120	°C
Pitch	5	mm